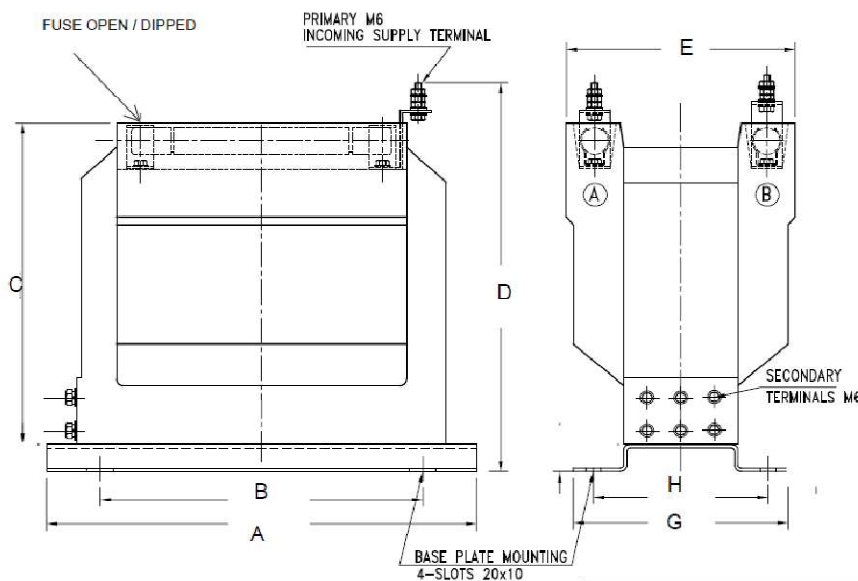
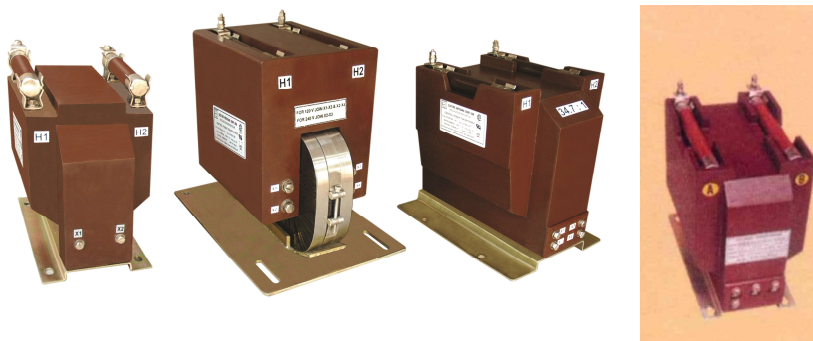


INDOOR SINGLE PHASE DOUBLE POLE VOLTAGE AND CONTROL TRANSFORMERS

- Unearthed VTs (DOUBLE POLE) available in widths of 170, 185, 196 mm and 220 mm
- Two such units can be connected in VEE to form a three phase bank
- ANSI std Control power transformers (CPTs) upto 3 KVA can be offered
- More than 25 current models of control transformers available suitable for voltage range 3.3 kV to 15 kV and capacity 250 VA to 15 KVA



DRG	Model	A	B	C	D	E	G	H	Wt	ILV(BIL)	Max VA for class below				Control transformer
											0.2	0.5	1	3/3P*	
219202#	VEC-213-63	270	200	-	235	152	150	113	20	7.2/20/60 kV	15	50	100	50	600 VA
2147 #	VEC-113-10	335	305	285	-	185	148	120	26	12/36/75 kV	25	100	100	50	600 VA
2157	VEC-113-11	320	240		290	170	160	130	26	12/28/75kV	25	100	200	100	1000 VA
2157	VEC-113-12	320	240		300	195	160	130	28	15/38/95kV	25	100	200	100	1500 VA
3186	VEC-116-01	450	180	420		230	240	200	50	36/70/170 kV	50	150	250	100	1000 VA

- Open fuse * - Additional winding \$ - no fuse provision Dimensions can be customized.

Only typical models are featured In the Table above.