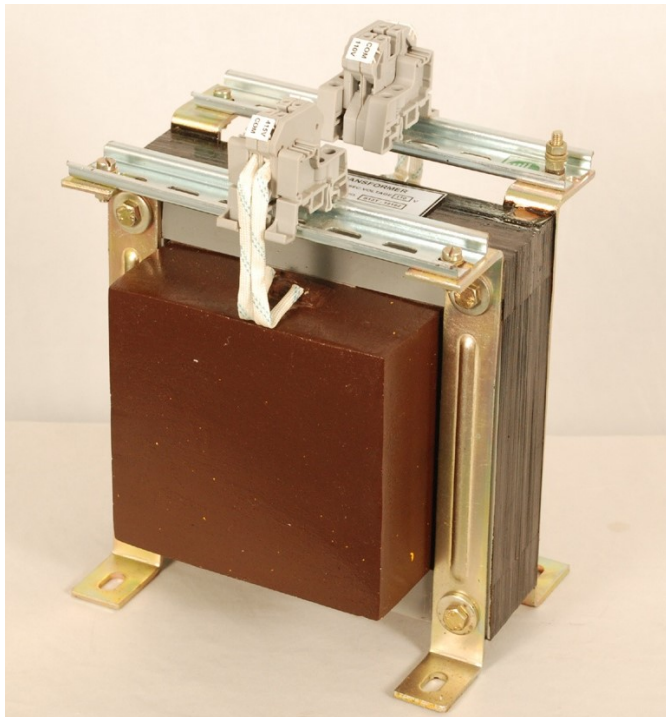
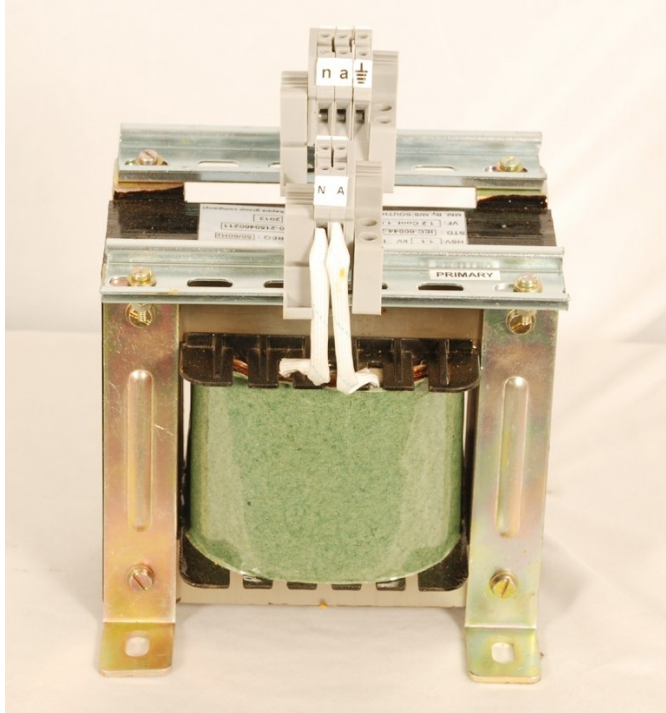


Kappa

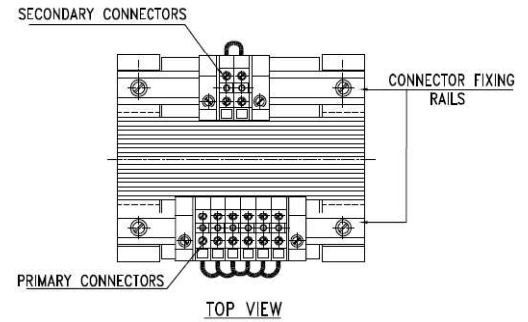
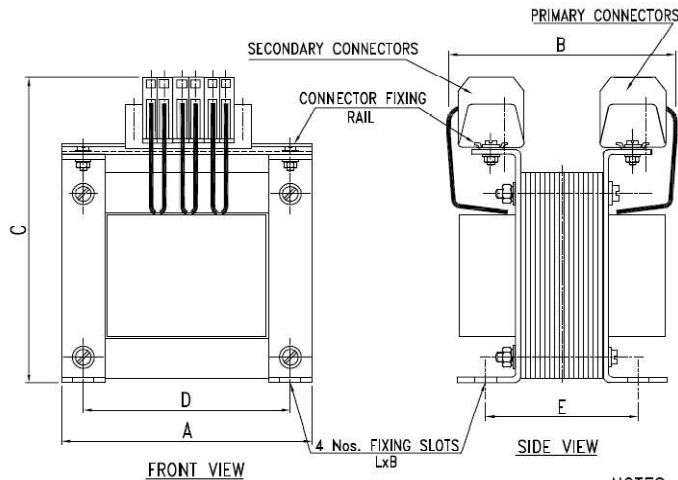
Current Technology

SINGLE PHASE INDUSTRIAL CONTROL TRANSFORMERS upto 3.5 kVA



Kappa

Current Technology



NOTES:

1. GEN. TOLERANCE : +5 mm
2. PREFERRED RATED PRIMARY VOLTAGE : 110V, 240V & 415V.
3. PREFERRED RATED SECONDARY VOLTAGE : 24V, 48V, 110V & 240V.
4. DIMENSIONS MAY CHANGE FOR 24V OR 48V OR FOR MULTIPLE SECONDARY TRANSFORMERS.
5. NO OF TERMINALS WILL CHANGE DEPENDING ON NUMBER OF PRIMARY AND SECONDARY TAPPGS.

TABLE OF DIMENSIONS

Item no	Rating in VA	A mm	Bmm	C mm	Dmm	E mm	Slot l (mm)xb(mm)	Weight(Kgs)
1	10 to 15	56	100	110	45	47	8x5	0.80
2	20 to 40	76	100	120	63	58	10x6	1.50
3	50 to 75	96	115	135	80	66	9x5	2.50
4	100 to 125	96	122	135	80	73	9x5	2.90
5	150 to 175	115	122	145	96	81	12x6	4.20
6	200 to 250	115	130	145	96	88	12x8	4.90
7	300 to 350	115	142	145	96	100	12x8	5.80
8	400 to 650	153	152	192	128	83	16x8	8.30
9	700 to 1000	153	177	192	128	108	16x8	12.00
10	1250 to 1500	180	200	215	150	128	20x10	18.80
11	1750 to 2000	180	210	215	150	138	20x10	21.50
12	2250 to 3500	240	250	300	195	145	20x10	36.50