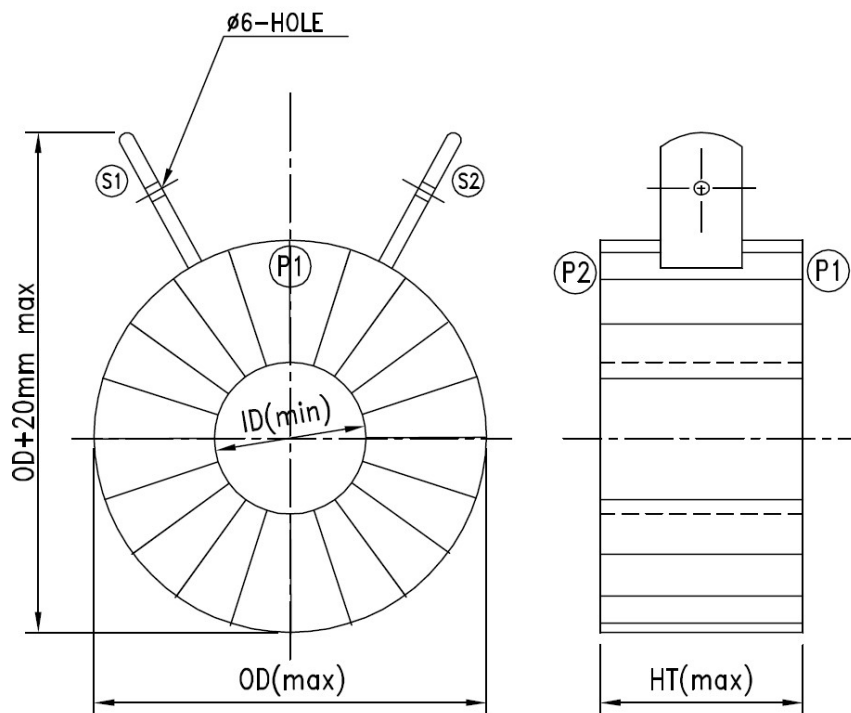


**TAPE INSULATED PROTECTION AND CLASS PX CT s - KTP SERIES**



**Selection Tables list only some standard specifications**

**Other standard and custom-built specs can be offered, including class PX and 1 A CT s**

# Kappa

## Current Technology

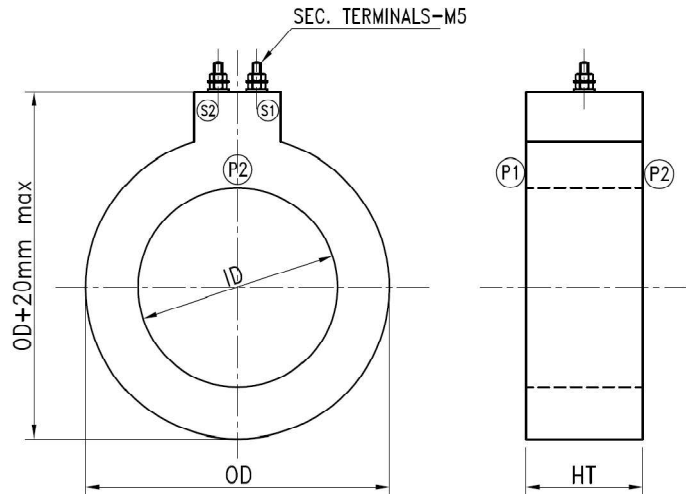
Part Number	Ring Size	Ratio	Burden VA	Accuracy	Finished dim.in mm			Part Number	Accuracy	Finished dim.mm	
				Class	ID min	OD max	Ht max		Class	OD min	HT max
KTP1R100QL5	I	100/5A	5	10P5	30	80	105	KTP1R100QM10	5P10	95	130
KTP1R100RL5	I	100/5A	7.5	10P5	30	95	100	KTP1R100RM10	5P10	120	115
KTP1R100SL5	I	100/5A	10	10P5	30	95	125	KTP1R100SM10	5P10	120	150
KTP1R150QM5	I	150/5A	5	5P5	30	80	75	KTP1R150QM10	5P10	95	95
KTP1R150RL10	I	150/5A	7.5	10P10	30	95	135	KTP1R150RM10	5P10	95	135
KRP2R100QL5	II	100/5A	5	10P5	45	100	100	KRP2R100QM10	5P10	110	115
KTP2R100SL5	II	100/5A	10	10P5	45	105	125	KTP2R100SM10	5P10	140	135
KTP2R150RL10	II	150/5A	7.5	10P10	45	110	115	KTP2R150RM10	5P10	110	115
KTP2R200QM10	II	200/5A	5	5P10	45	110	70	KTP2R200QM20	5P20	110	120
KTP2R250QM10	II	250/5A	5	5P10	45	110	60	KTP2R250QM20	5P20	110	115
KTP3R300PM10	III	300/5A	15	5P10	55	140	80	KTP3R300TM5	5P5	130	60
KTP3R400TM10	III	400/5A	15	5P10	55	140	70	KTP3R400TM20	5P20	130	140
KTP3R500TM10	III	500/5A	15	5P10	55	130	65	KTP3R500TM20	5P20	140	110
KTP3R600TM10	III	600/5A	15	5P10	70	135	65	KTP3R600TM10	5P20	145	100
KTP4R600TM10	IV	600/5A	15	5P10	70	145	60	KTP4R600TM20	5P20	145	110
KTP4R800TM10	IV	800/5A	15	5P10	70	150	55	KTP4R800TM20	5P20	150	95
KTP4R1000TM10	IV	1000/5A	15	5P10	70	150	50	KTP4R1000TM20	5P20	150	80
KTP4R1200TM10	IV	1200/5A	15	5P10	70	150	50	KTP4R1200TM20	5P20	150	75
KTP5R800TM10	V	800/5A	15	5P10	85	170	55	KTP5R800TM20	5P20	180	80
KTP5R1000TM10	V	1000/5A	15	5P10	85	170	50	KTP5R1000TM20	5P20	170	80
KTP5R1200TM10	V	1200/5A	15	5P10	85	170	50	KTP5R1200TM20	5P20	180	65
KTP5R1600TM10	V	1600/5A	15	5P10	85	170	45	KTP5R1600TM20	5P20	180	55
KTP6R2000TM10	VI	2000/5A	15	5P10	115	190	50	KTP6R2000TM20	5P20	195	65
KTP6R2500TM10	VI	2500/5A	15	5P10	115	190	45	KTP6R2500TM20	5P20	195	60
KTP6R3000TM10	VI	3000/5A	15	5P10	115	190	45	KTP6R3000TM20	5P20	200	60
KTP6R3500TM10	VI	3500/5A	15	5P10	115	195	50	KTP6R3500TM20	5P20	215	50

Class PX – 30 V for 5A secondary and 150 V for 1 A secondary

60 V for 5A sec and 300 V for 1 A sec

**CAST RESIN TYPE - Protection and class**

PX CT s - KRP series



Typical selection table for protection and Class PX CTs

Part Number	Ring size	Ratio	Burd VA	Accy Class	Finished dim.in mm			Part Number	Accy class	Finished dim.mm	
					ID min	OD max	HT max			OD min	HT max
KRP1R100QL5	I	100/5A	5	10P5	30	100	75	KRP1R100QM10	5P10	90	135
KRP1R100SL5	I	100/5A	10	10P5	30	90	135	KRP1R100SM10	5P10	120	145
KRP1R150QM5	I	150/5A	5	5P5	30	80	70	KRP1R150QM10	5P10	100	100
KRP1R150RL10	I	150/5A	7.5	10P10	30	90	135	KRP1R150RM10	5P10	90	135
KRP2R100QL5	II	100/5A	5	10P5	45	100	100	KRP2R100QM10	5P10	105	135
KRP2R100SL5	II	100/5A	10	10P5	45	105	120	KRP2R100SM10	5P10	155	130
KRP2R200SM10	II	200/5A	10	5P10	45	105	135	KRP2R200SM20	5P20	145	160
KRP2R250SM10	II	250/5A	10	5P10	45	105	120	KRP2R250SM20	5P20	155	110
KRP2R300TM10	II	300/5A	15	5P10	45	105	135	KRP2R300TM5	5P5	100	100
KRP2R400TM10	II	400/5A	15	5P10	45	105	120	KRP2R400TM20	5P20	145	100
KRP3R400TM10	III	400/5A	15	5P10	55	140	70	KRP3R400TM20	5P20	155	130
KRP3R450TM10	III	450/5A	15	5P10	55	120	90	KRP3R450TM20	5P20	155	110
KRP3R500TM10	III	500/5A	15	5P10	55	140	70	KRP3R500TM20	5P20	145	100
KRP3R600TM10	III	600/5A	15	5P10	55	140	70	KRP3R600TM20	5P20	145	100
KRP4R600TM10	IV	600/5A	15	5P10	70	140	70	KRP4R600TM20	5P20	155	110
KRP4R800TM10	IV	800/5A	15	5P10	70	140	70	KRP4R800TM20	5P20	145	100
KRP4R1000TM10	IV	1000/5A	15	5P10	70	140	70	KRP4R1000TM20	5P20	155	90
KRP4R1200TM10	IV	1200/5A	15	5P10	70	140	70	KRP4R1200TM20	5P20	155	90
KRP5R800TM10	V	800/5A	15	5P10	85	165	60	KRP5R800TM20	5P20	190	75
KRP5R1000TM10	V	1000/5A	15	5P10	85	165	60	KRP5R1000TM20	5P20	190	75

**Kappa**  
Current Technology

Part	Ring size	Ratio	Burd	Accy	Finished dim.in mm			Part	Accy	Finished dim.mm	
Number			VA	Class	ID min	OD max	HT max	Number	class	OD min	HT max
KRP5R1200TM10	V	1200/5A	15	5P10	85	165	60	KRP5R1200TM20	5P20	190	75
KRP5R1600TM10	V	1600/5A	15	5P10	85	165	60	KRP5R1600TM20	5P20	190	75
KRP6R1000TM10	VI	1000/5A	15	5P10	115	190	75	KRP6R1000TM20	5P20	190	90
KRP6R1200TM10	VI	1200/5A	15	5P10	115	190	75	KRP6R1200TM20	5P20	190	75
KRP6R1600TM10	VI	1600/5A	15	5P10	115	190	75	KRP6R1600TM20	5P20	190	75
KRP6R2000TM10	VI	2000/5A	15	5P10	115	195	35	KRP6R2000TM20	5P20	190	75
KRP6R2500TM10	VI	2500/5A	15	5P10	115	190	75	KRP6R2500TM20	5P20	190	75
KRP6R3000TM10	VI	3000/5A	15	5P10	115	190	75	KRP6R3000TM20	5P20	190	75
KRP6R3500TM10	VI	3500/5A	15	5P10	115	190	75	KRP6R3500TM20	5P20	205	115

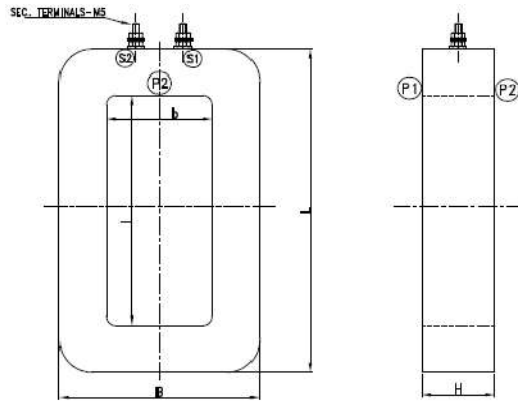
Class PX – 30 V for 5A secondary and 150 V for 1 A secondary

60 V for 5A sec and 300 V for 1 A sec

Tables list only some standard specifications

Other standard and custom-built specs can be offered, including class PX and 1 A CT s

**TAPE INSULATED AND RESIN CAST RECTANGULAR WINDOW CT S - KNT/ KNR SERIES**



**Typical selection table for protection and class PX CTs**

Ratio	Burden	Accuracy Class	Finished dimensions In mm					Accuracy Finished dimensions in mm			
	VA	Knee point voltage	L max	B max	H max	I min	Ebmin	class	L max	B max	H max
200/5A	10/15	5P10	180	90	125	70	20	5P20	210	150	150
300/5A	10/15	5P10	182	96	80	70	20	5P20	180	100	150
400/5A	10/15	5P10	210	105	50	70	20	5P20	180	100	150
500,600/5A	10/15	5P10	210	105	50	110	20	5P20	230	110	90
2000/5A	10/15	5P10	200	115	40	110	35	5P20	275	140	50
800 TO 1600/5A	10/15	5P10	275	140	50	160	65	5P20	292	152	50
2000/5A	10/15	5P10	275	140	50	160	45	5P20	272	140	50
2500/5A	10/15	5P10	240	180	35	165	110	5P20	260	200	60
3500/5A	10/15	5P10	300	200	50	200	120	5P20	300	200	50
3200/5A	10/15	5P10	300	200	50	200	120	5P20	300	200	50
4000/5A	10/15	5P10	300	200	50	200	120	5P20	300	200	50
45000/5A	10/15	5P10	300	200	50	200	120	5P20	300	200	50
5000/5A	10/15	5P10	300	200	50	200	120	5P20	300	200	50

Class PX – 30 V for 5A secondary and 150 V for 1 A secondary

60 V for 5A sec and 300 V for 1 A sec

**Tables list only some standard specifications Other standard and custom-built specs can be offered, including class PX and 1 A CT s**