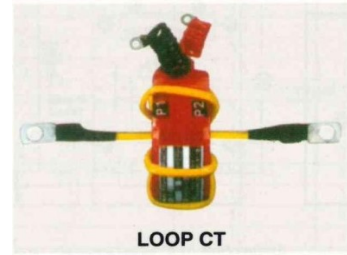
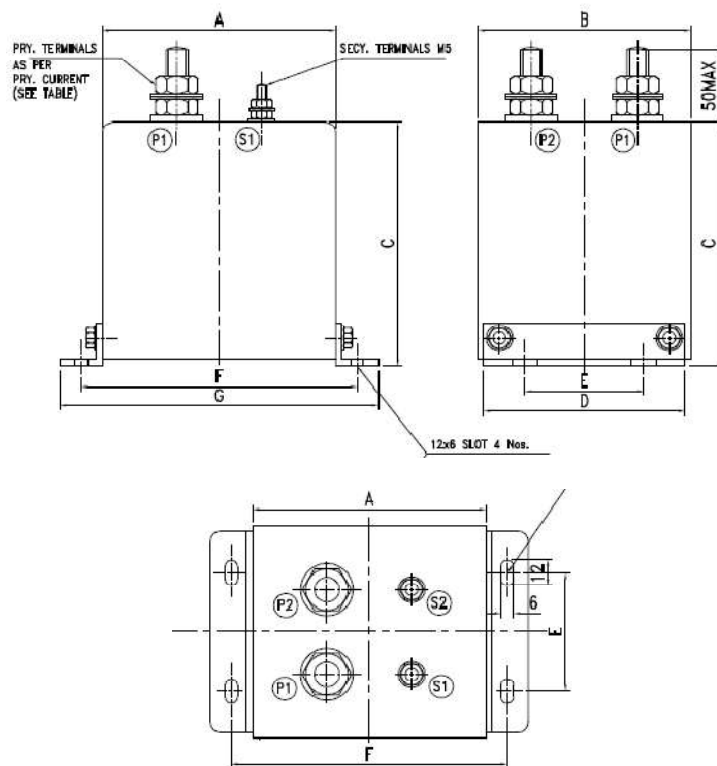


**LOW VOLTAGE LOOP CTs and WOUND PRIMARY CT s**



- Suitable for low ratios from 1 A to 200A
- Suitable for metering, protection and class PS/X/PX
- Secondary currents of 5 A, 1A, 2.89 A and 0.577 A
- Accuracy of class 0.2S can be achieved for low ratios
- Complete with primary and secondary terminations and mounting clamps
- As an option, loop type CTs can be offered, where the client has to loop the primary conductor around the CT a specified number of times.
- Ratios 1/1 A to 200/1A and 1/5A to 200/5A
- Metering class 0.2S, 0.2, 0.5S, 0.5 and class 1
- Protection class 5P and 10 P
- VA burden 2.5 VA to 30 VA
- Full range of class PX CT s

WOUND PRIMARY CT – DRAWING AND TABLE OF DIMENSIONS



SIZE	A	B	C	D	E	F	G
KRW02	90	80	75	90	70	122	135
KRW06	110	100	115	120	100	142	155
KRW08	145	100	175	120	100	177	190
KRWHB	65	75	110	75	45	80	95

ALL DIMENSIONS IN MM