

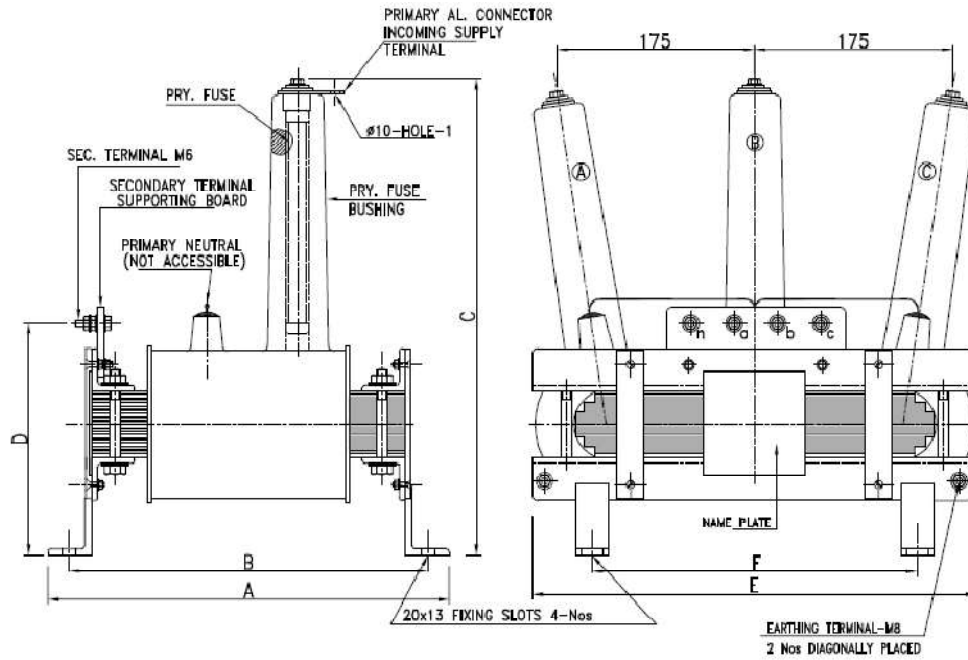
THREE PHASE VOLTAGE AND CONTROL TRANSFORMERS, RESIDUAL VOLTAGE TRANSFORMERS

- Three phase transformers are offered in two types
 - Unearthed VT – three phase three limb type – in this case the primary neutral is not brought out and cannot be accessed
 - Earthed VT or residual **voltage transformer (RVT)** , in which the primary neutral is brought out and must be connected to the system neutral to sense earth fault. For cap-bank protection, the RVT 's primary neutral to be connected to the cap-bank neutral
- Suitable for 3.3/6.6/11/13.8 KV system
- With or without provision for fuse
- VT can be mounted with fuse bushing in vertical (2362) or horizontal (2379-02) series
- Stationary and plug in types available
- Primary fuses and secondary fuses can be provided on request
- Primary cables can be provided instead of fixed termination

Max VA burden for class

VARIATION	ILV(BIL)	0.2	0.5	1	3	3/3P Add'l wdg
1	7.2/20/60 kV		100	200	1500	200
2	12/36/75 kV		100	200	2500	200
3	15/38/95 kV	25	150	250	3000	200
4	15/38/95 kV	50	200	300	4000	200

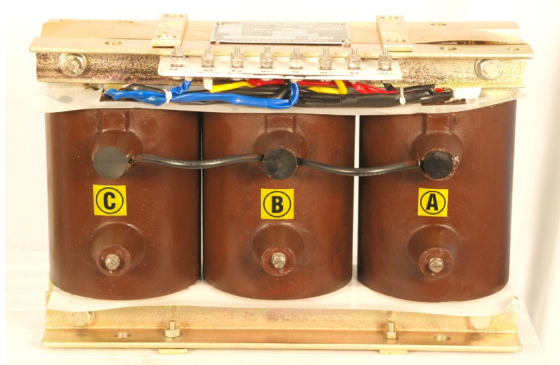
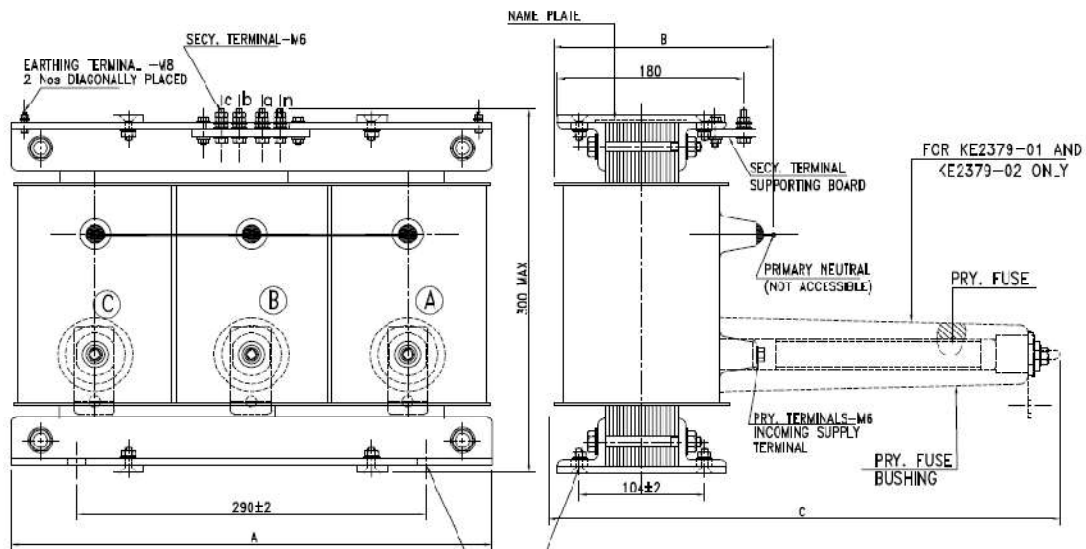
VT s with integral fuse provision (vertical type)



Model 2541 VEC 25309

	Drg	Var	Model	A	B	C	D	E	F	G	Wt Kg
Three limb	2362	1	VEC-133-05	410	333	470	210	430	290	175	48
		2	VEC-133-13	410	333	480	215	430	290	175	52
		3	VEC-133-06	410	333	490	220	460	290	175	55
		4	VEC-133-07	410	333	520	235	570	370	180	65
Five limb	2541	1	VEC-153-03	375	333	430	205	450	290	175	58
		2	VEC-153-04	375	333	450	215	520	290	175	65
		3	VEC-153-09	375	333	455	205	480	290	175	66
	2544 LT fuse prov	1	VEC-153-10	375	333	430	-	450	290	175	59
		2	VEC-153-11	375	333	430	-	480	290	175	66
		3	VEC-153-12	375	333	430	-	520	290	175	67

HORIZONTAL TYPE 3 PH VTs-STATIONARY AND PLUG-IN MODELS



Model 2371 VEC 23307



Model 2566

SELECTION TABLE FOR HORIZONTAL TYPE 3 PH VTs-STATIONARY AND PLUG-IN MODELS

	DRG	VAR	MODEL	A	B	C	Wt Kg
Three limb	2371 No fuse	1	VEC-233-04	430	185		43
		2	VEC-233-07	430	195		46
		3	VEC-233-05	460	215		49
Five limb	2540 No fuse	1	VEC-253-01	450	185		55
		2	VEC-253-07	480	195		60
		3	VEC-253-02	520	215		63
Three limb	2379-01 With fuse Plug-in	1	VEC-133-14	430		420	48
		2	VEC-133-15	430		430	52
		3	VEC-133-25	460		440	55
Three limb	2379-02 With fuse stationary	1	VEC-133-26	430		410	48
		2	VEC-133-27	430		420	52
		3	VEC-133-28	460		430	55