

# Kappa

Current Technology

## WOUND PRIMARY (BLOCK TYPE CT s)

Suitable for current ratings upto 4000 A

- Primary connecting pad sizes vary depending upon primary current
- Standard frame widths of 148,160,205,240 mm
- Suitable for short time rating of 50 kA/3 secs
- **ASTA** type tested
- Around 45 models are currently available

Model 4294, 15/38/95 kV, 160 mm



Model 4291, 17.5/42/95 kV, 180 mm



Model 4285, 36/70/170 kV,  
240 mm



Model 4283, 15/38/95kV  
160 mm



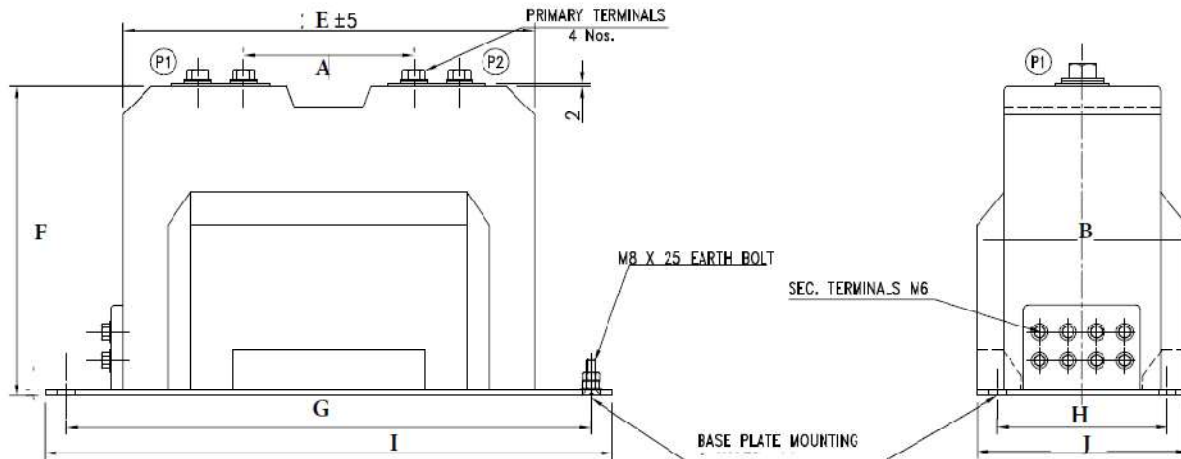
Model 4274. 15/38/95 kV  
148 mm



# Kappa

Current Technology

## DRAWING AND SELECTION TABLE



H-TAG – HORIZONTAL PRIMARY TAG IS PICTURED

V-TAG – VERTICAL PRIMARY TAG AND S-TAG – SIDE PRIMARY TAG ARE ALSO OFFERED

| System voltage Upto (kV) | Series  | Primary tag type | Pry tag distance | CT width | Axial length     | Total height (MAX) | Base plate   | Base plate fixing | Approx weight |
|--------------------------|---------|------------------|------------------|----------|------------------|--------------------|--------------|-------------------|---------------|
|                          |         |                  | A (mm)           | B (mm)   | E (mm)           | F (mm)             | G X H . (mm) | I X J (mm)        | In Kgs        |
| 15/38/95                 | 4273-02 | HTAG             | 120              | 148      | 290/330          | 218                | 335X 148     | 270 X 125         | 24            |
| 15/38/95                 | 4283    | HTAG             | 110              | 160      | 210              | 233                | 210X160      | 180X135           | 16            |
| 15/38/95                 | 4293    | HTAG             | 80               | 160      | 250/275          | 233                | 330X160      | 290X135           | 24            |
| 15/38/95                 | 429305  | HTAG             | 100/ 120         | 160      | 250/275          | 233                | 330X160      | 290X135           | 24            |
| 15/38/95                 | 4294    | HTAG             | 120              | 160      | 300/ 330         | 233                | 330X160      | 290X135           | 30            |
| 15/38/95                 | 429304  | STAG             | 350/390          | 160      | 390/420          | 223                | 330X160      | 290X135           | 24            |
| 17.5/42/95               | 4291    | VTAG             | 95               | 180      | 230/265/ 280/320 | 251                | 320X195      | 285X170           | 30            |
| 24/50/125                | 4297    | HTAG             | 120              | 180      | 260/320/ 360     | 261                | 360X180      | 290X150           | 33            |
| 24/50/125                | 4300    | VTAG             | 95               | 180      | 280              | 283                | 375X195      | 340X170           | 30            |
| 24/50/125                | 4324    | VTAG             | 95               | 205      | 320              | 251                | 320X220      | 285X170           | 36            |
| 24/50/125                | 4325    | HTAG             | 120              | 205      | 320              | 251                | 320X220      | 285X170           | 36            |
| 24/50/125                | 4330    | VTAG             | 90               | 180      | 310              | 305                | 230X170      | 200X140           | 33            |
| 36/70/170                | 4341    | VTAG             | 95               | 220      | 275              | 362                | 340X220      | 305X170           | 55            |
| 36/70/170                | 4338    | VTAG             | 90               |          |                  |                    |              |                   |               |
| 36/70/170                | 4342    | HTAG             | 120              | 240      | 320              | 362                | 355X240      | 320X205           | 55            |
| 36/70/170                | 4285    | VTAG             | 95               | 240      | 320              | 362                | 355X240      | 320X205           | 60            |

BASEPLATES/ FIXING CAN BE MODIFIED TO SUIT  
OTHER CUSTOMIZATION IS POSSIBLE